

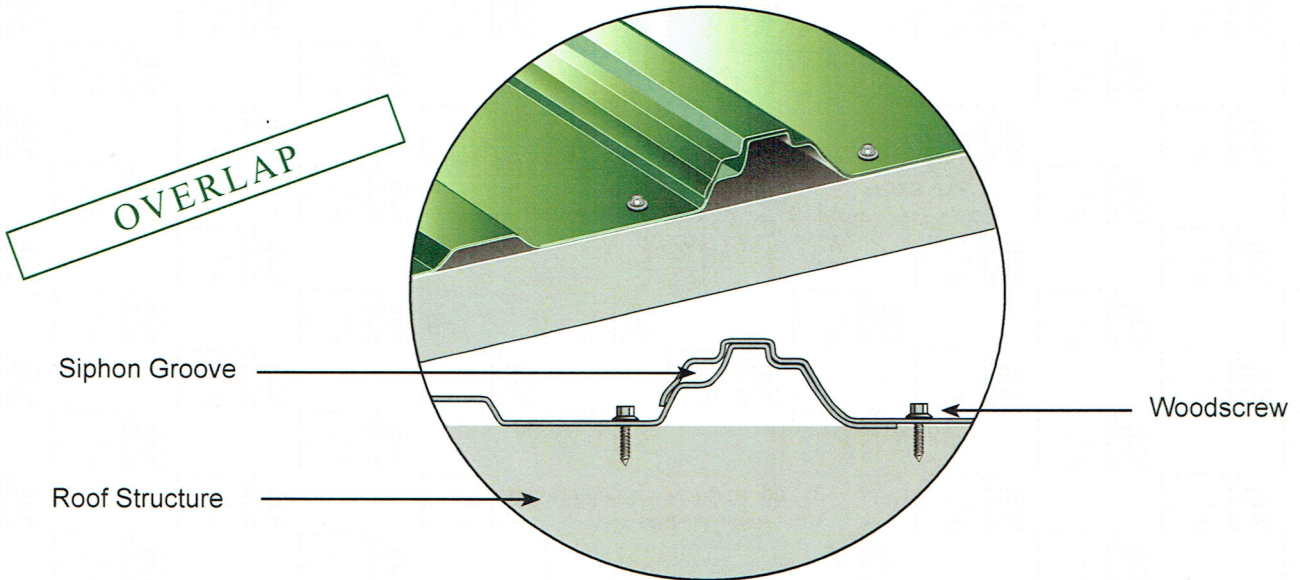
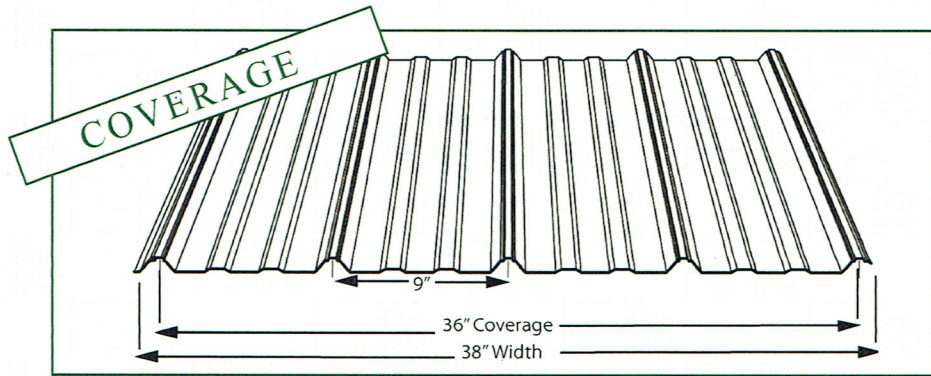
Everlast Roofing Inc.

Light Gauge

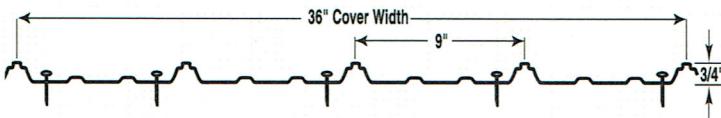
**Everlast
Roofing, Inc.**

OUR NAME SAYS IT ALL

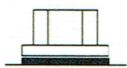
Coverage/Overlap and Screw/Nail Pattern of Everlast II™



SCREW PATTERN Everlast II



NAIL PATTERN



Correct



Under-driven



Over-driven

*Note - minimum of 1" fastener penetration is recommended